



Quality. Integrity. Experience.

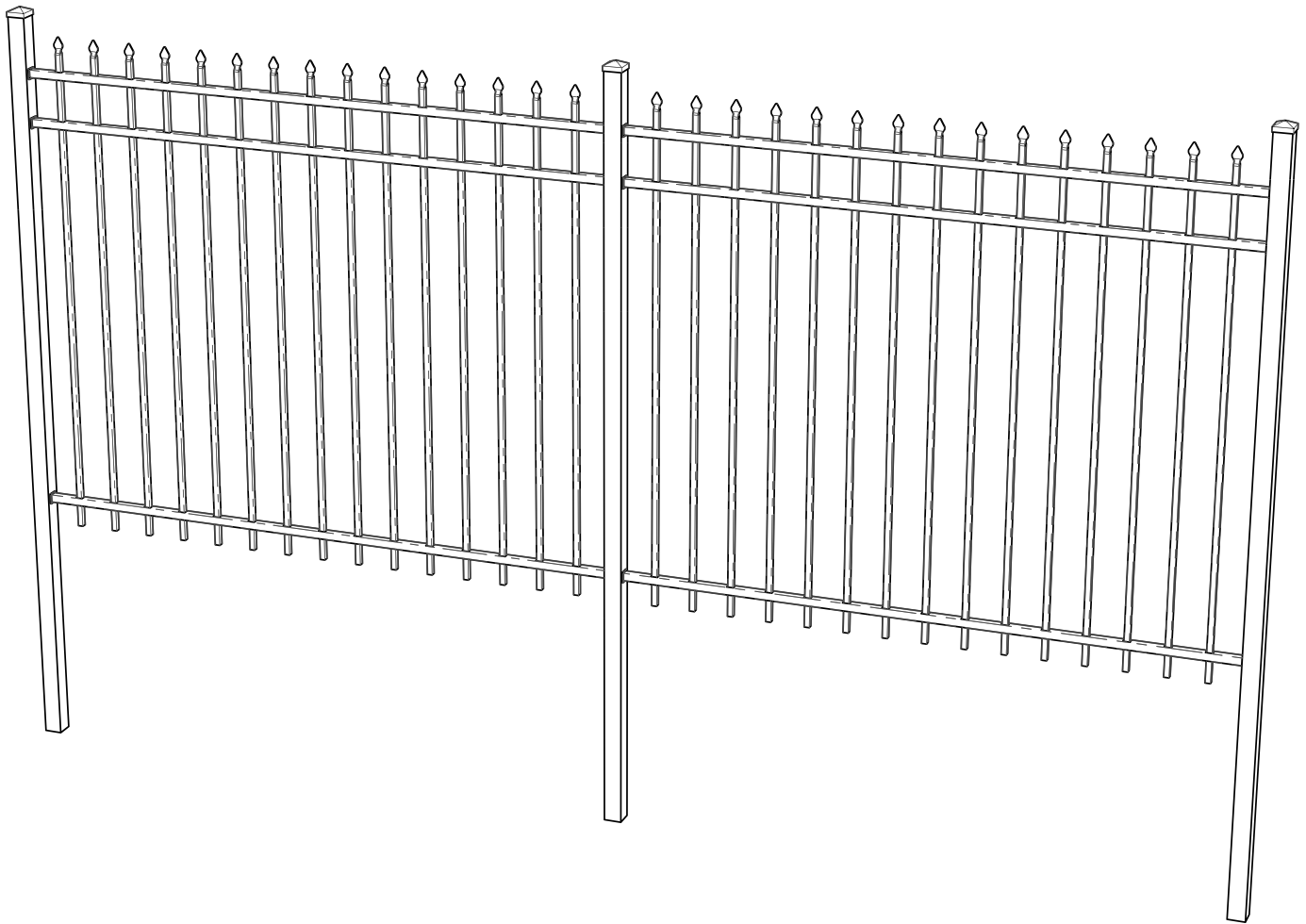
Owner's Manual

Version

1.0

AYALUMFENCEB_BOM V1 2/12

Aluminum Prebuilt Fence



PLEASE READ OWNER'S MANUAL
COMPLETELY BEFORE ASSEMBLING
YOUR FENCE.

ALL STATED SIZES ARE NOMINAL DIMENSIONS.

Please read these instructions carefully before installing your Buy Direct Vinyl Fence. If you have any questions or issues installing the fence, please contact us at 1-855-859-8908 for assistance.

Before You Begin...

Check your local zoning laws.

- Local zoning laws and Home Owners Associations may regulate the location, style and height of your fence or even require a permit signoff beforehand.

Contact your local utilities companies.

- You must have the utility companies clearly mark your property for electrical, gas or water lines to avoid puncturing any unseen underground utilities.

Pay to mark your property line.

- Being proactive will save you time and money from any disputes from neighbors.

Material Checklist:

- | | |
|---|--|
| <input type="checkbox"/> String | <input type="checkbox"/> Rubber Mallet |
| <input type="checkbox"/> Stakes | <input type="checkbox"/> Concrete Mix |
| <input type="checkbox"/> Tape Measure | <input type="checkbox"/> Peastone |
| <input type="checkbox"/> Post Hole Digger | |
| <input type="checkbox"/> Shovel | |
| <input type="checkbox"/> Level | |
| <input type="checkbox"/> Hacksaw | |

ATTENTION: Before you assemble the fence:

PLEASE TAKE A COMPLETE INVENTORY OF ALL PARTS USING THE KIT CONTENTS.

DO NOT ATTEMPT TO ASSEMBLE THE FENCE IF PARTS ARE MISSING OR DAMAGED.

Please do not return the product to the store, for assistance or replacement parts call:

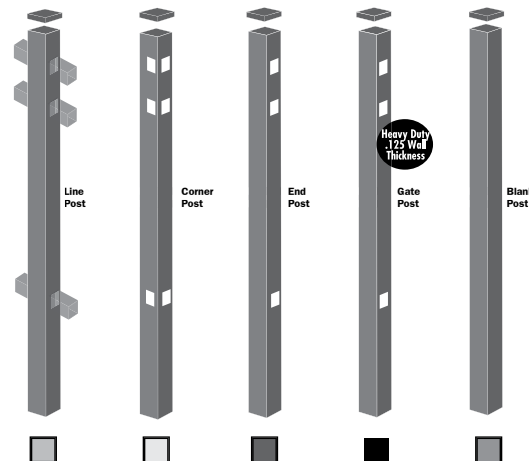
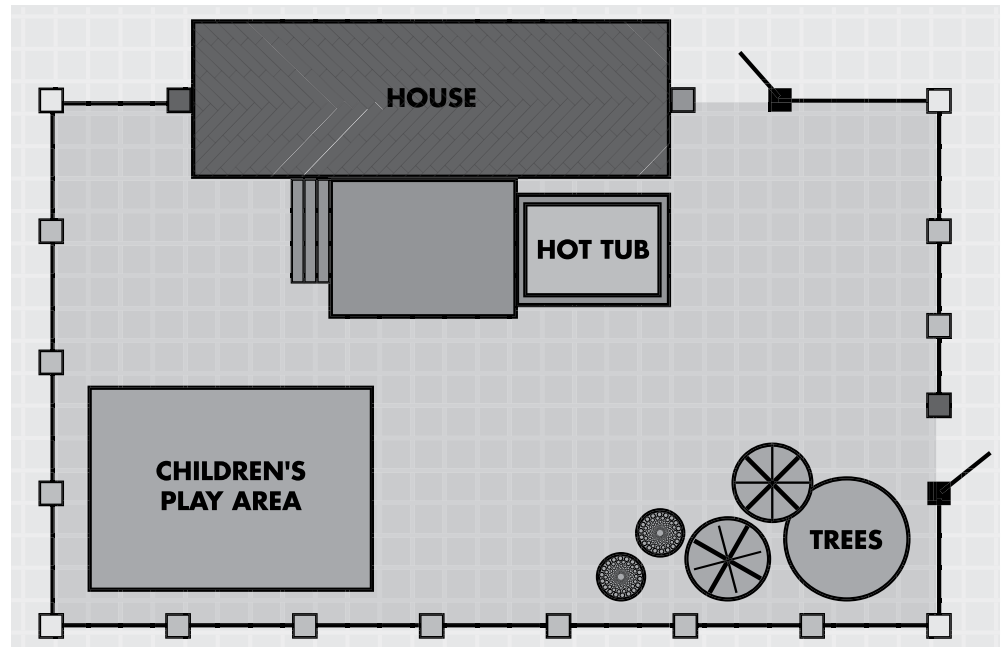
1-855-859-8908

Sketch Plan and confirm materials needs

- First, draw or sketch out your fence plan to paper. This drawing will help you estimate materials and plan location of corners and gates. Show the house, driveway, deck, and property lines. Then measure accurately with tape measure and identify those on your sketch.
- Layout should show fence lines and gate locations
- Determine number of sections and posts needed
- The opening left for gates should be the width of the gate ordered. A 48" walk gate opening should be left for a 48" gate (which is made at an actual width of 46.5" to fit a 48" opening)

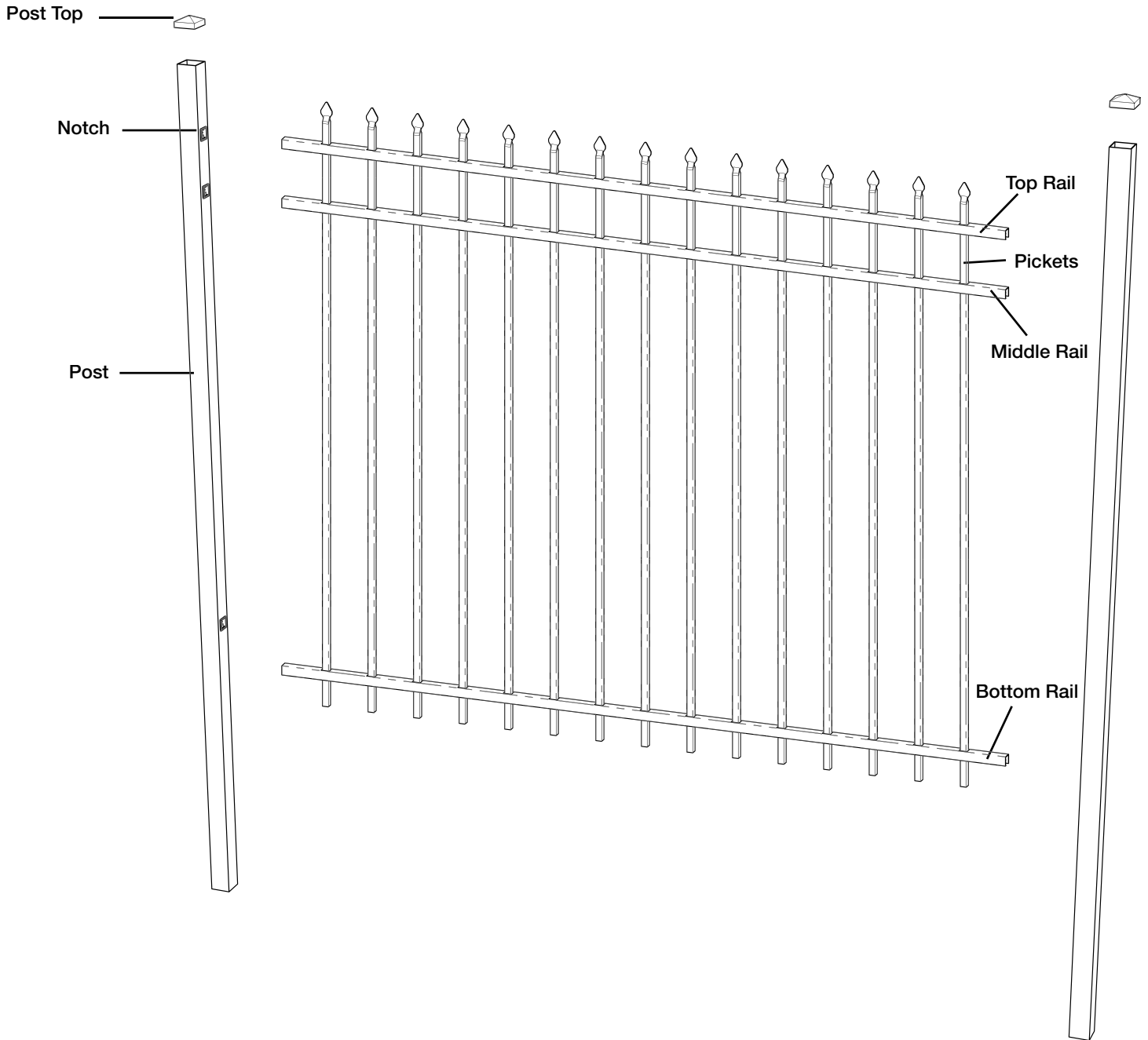
Installation Tips

- Gates need to be installed on level ground
- Gates and fence panels should be installed so that the bottom of the fence is 2" above ground level to allow for lawn maintenance/cutting.
- Once installed, the top of the post will be at the same height as the top of the tallest part of the fence panel.
- Separate and identify your posts. The rails from the fence panels will be inserted into the pre-punched holes of the posts.



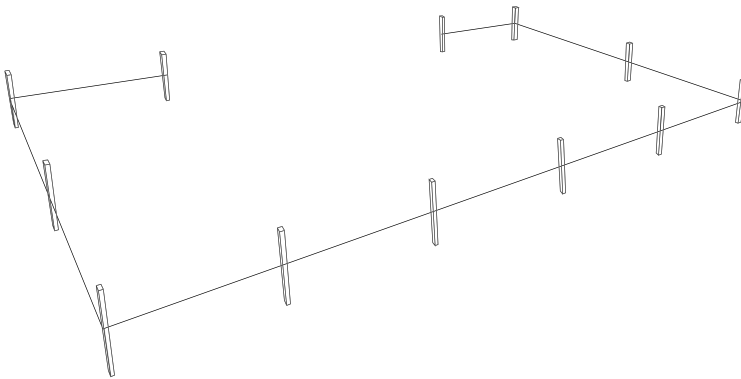
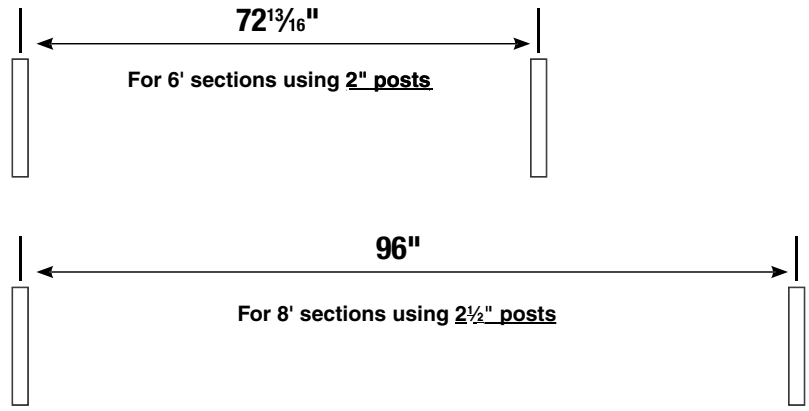
- Line Post: Post with holes on two opposite sides to connect fence sections.
- Corner Post: Used to connect two sections of fence coming together at 90°.
- End Post: Used to end a line of fence. Only one section of fence will connect to an end post.
- Blank Post: Has no holes, and is used with a gate latch.
- Heavy Duty Gate Post: Features a heavier wall than all other posts to support the weight of the gate (attached with hinges). Similar to an end post, the HD Gate Post only has holes on one side.

Product Overview:



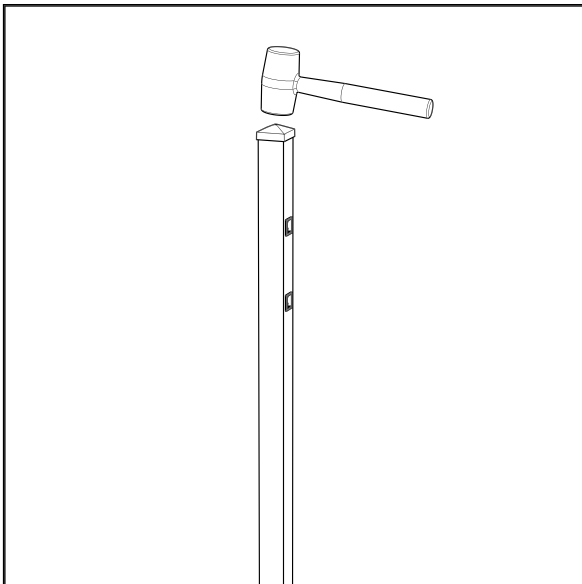
Layout installation

- Using the worksheet as a guide, establish your fence line by staking out the areas you wish to enclose. Locate each point in which you will need an end, corner or gate post and mark it with a stake.
- To mark all other posts: For 6' sections and using 2" posts: from the center of an end point, measure $72^{13}/16"$ and mark with stake. For 8' sections and using 2 1/2" posts: from the center of an end point, measure 96" and mark with stake. NOTE: If you are left with a space less than a full panel, the panel can be cut down to fit the space by using a hacksaw. Notch the cut ends of the horizontal rails so they will seat inside of post. (Using the factory notch as your guide.)
- Attach string to each stake.
NOTE: the fence will most likely need to be set back from the property line as required by your local codes (usually 2"-4")



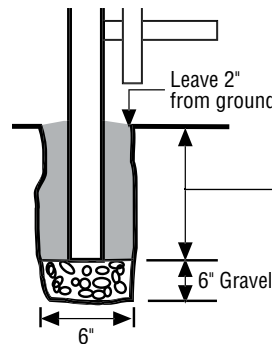
First Post Installation

- Use a rubber mallet to gently drive the post tops onto the posts. Be careful not to damage the post top.



- Mix the concrete on the dry side to allow the posts to set faster. See chart below to determine the minimum depth for your fence.

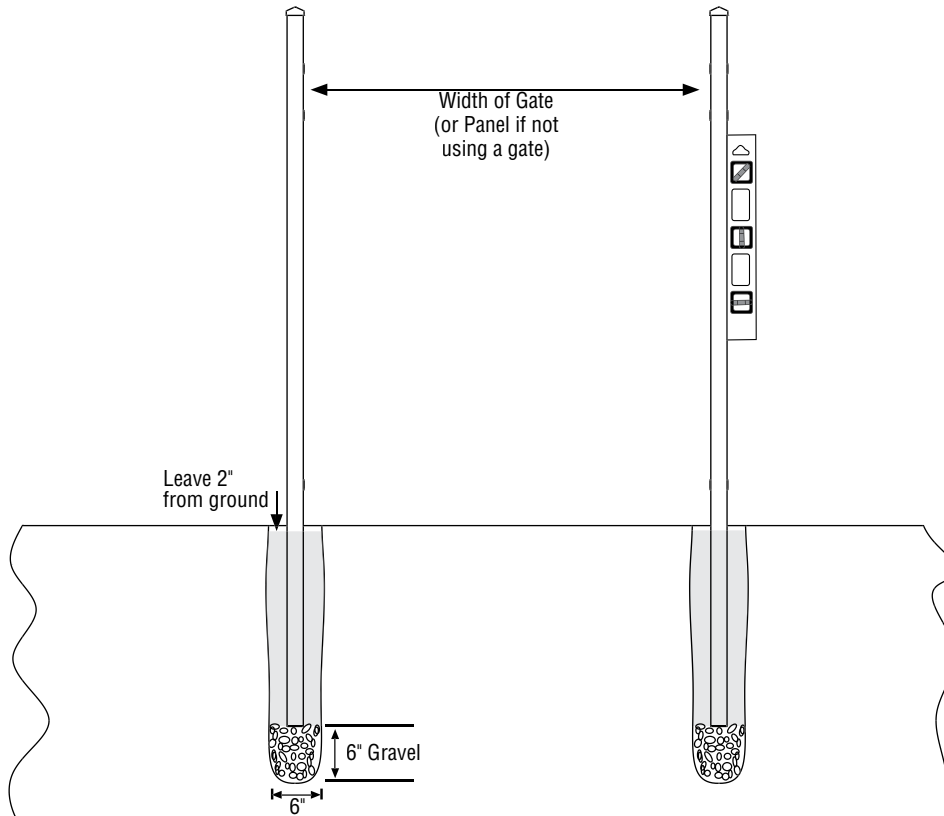
NOTE: In areas where ground frost occurs, the concrete footing should be extended below the frost line (generally 12" below). This will account for frost "heave, in which ground water freezes and expands upwards. By providing this 12" drainage you can keep the frost heave from affecting the posts. Verify depths meet all local building codes.



| Panel Height | Post Height | Hole Depth | Post goes into ground |
|--------------|-------------|------------|-----------------------|
| 36" | 58" | 27" | 21" |
| 48" | 70" | 27" | 21" |
| 54" | 82" | 33" | 27" |
| 60" | 88" | 33" | 27" |
| 72" | 106" | 39" | 33" |

3 Start post installation with a gate, corner or end. Dig post holes to appropriate depth, approximately 6" wide. Fill bottom of hole with approximately 6" of peastone/gravel and place post onto gravel. Fill holes with concrete and tamp down around each post leaving concrete about 2" from ground level.

4 If using a gate, the opening between the posts should be $1\frac{1}{2}$ " wider than the gate width to allow for hinges. (Example: Use a 48" opening for a 46 $\frac{1}{2}$ " wide gate.) Be sure posts are level and plumb. Brace the posts as necessary while the concrete is setting.



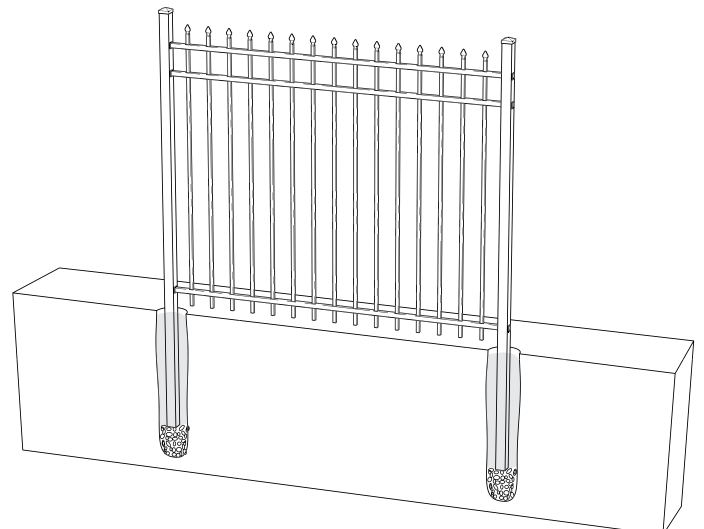
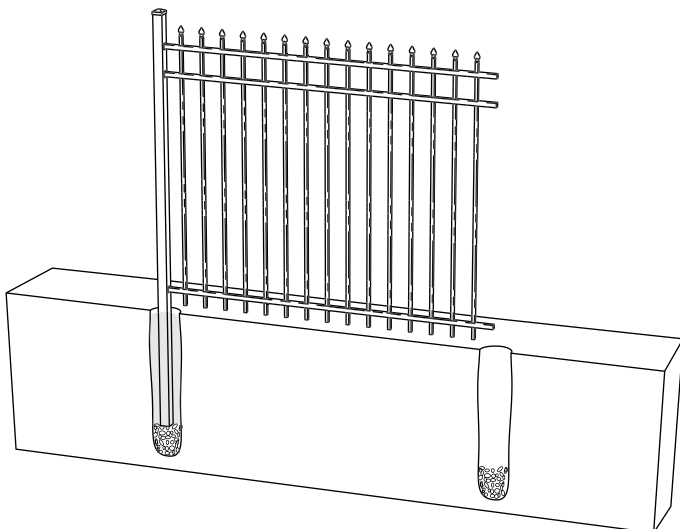
Panel / Post Installation

1 CAUTION: Do not install all posts first. Installation should proceed post-panel-post-panel...

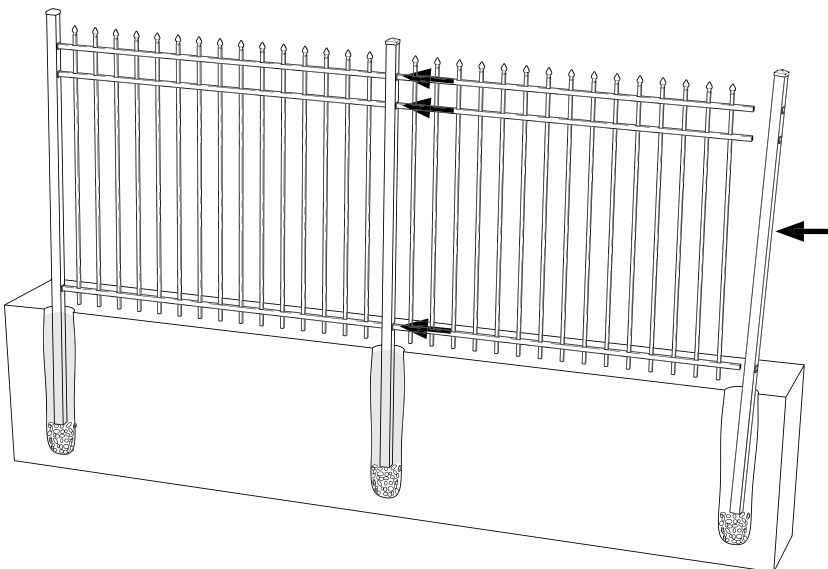
NOTE: It is a good idea to have the next post hole in the run already dug when attaching panel to the previous post (and have the 6" of gravel inside).

As the gate post (or corner) is setting up, install the first fence panel. Insert the horizontal rails from the panel into the punched holes from the previously installed post. Place the rails as far into the post as they will go.

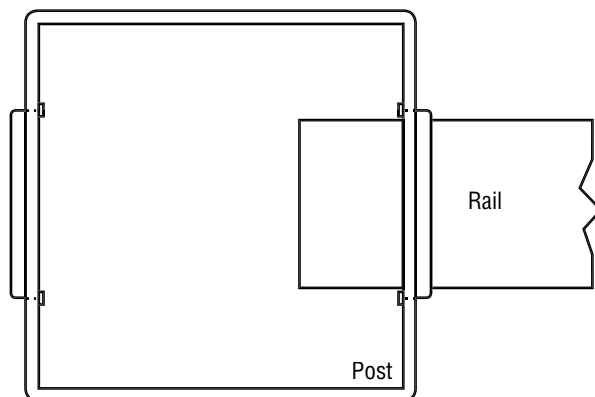
2 Place the next required post (line/corner/end) into the dug hole, and slide the post onto the rails of the panel as far as possible. Pour concrete around that post and tamp down, leaving concrete about 2" from ground level. You now have one fence panel upright between two installed posts.



3 Repeat by digging next hole and filling with 6" of gravel. Then insert the next panel into the previously installed post. Place the next post into the dug hole and slide the post onto the rails of the panel as far as possible. Pour concrete around that post and tamp down, leaving concrete about 2" from ground level. Repeat until end of line.

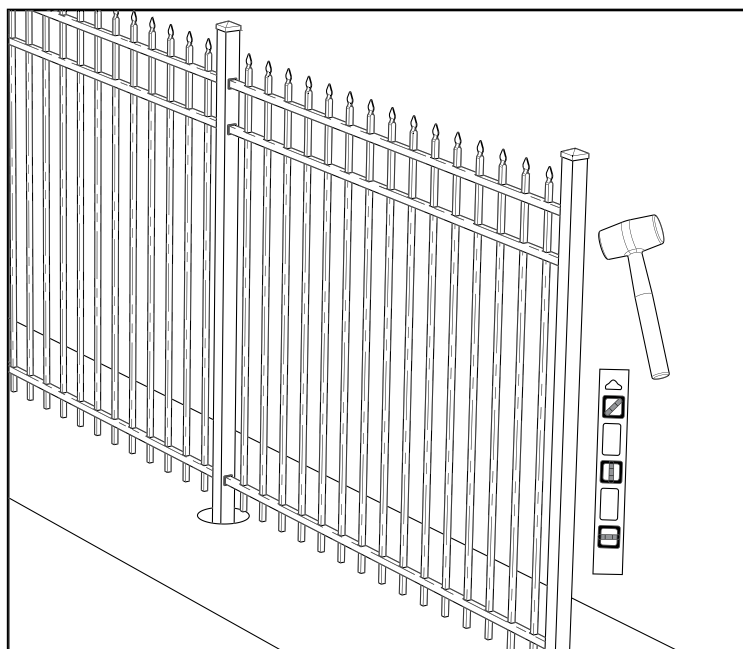


4 All panel rails have a premeasured notch. Please ensure the rail is inserted all the way to the notch. If you need to cut down panels you need to create a new notch by using a hacksaw. (Use the factory notch as your guide.)

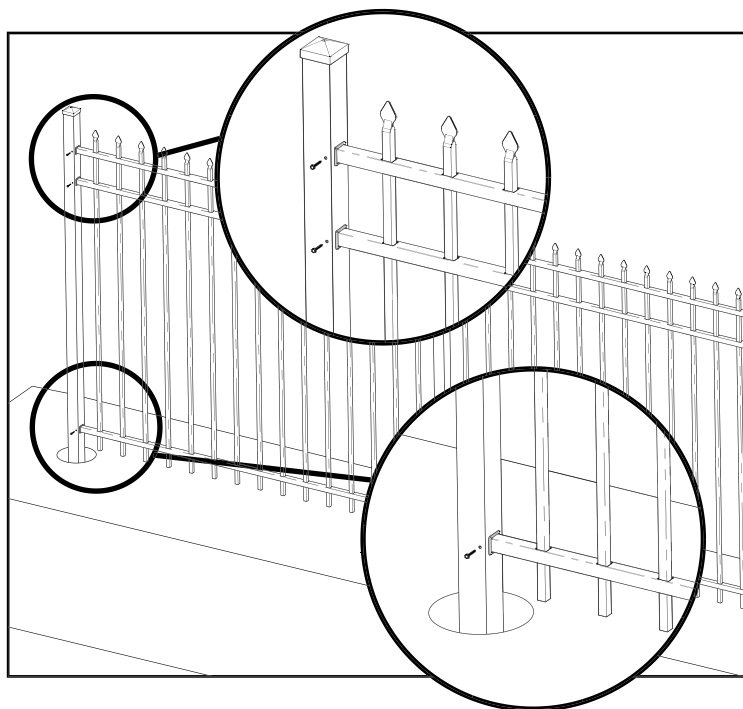


Top view of post

5 Once four or so panels are installed, check to make sure all posts and panels are still level. If a correction needs to be made, use a rubber mallet while the concrete is still somewhat soft.



6 After concrete has set, fasten the fence section to the posts using #8 x 1" self-tapping screws. Be careful not to over-tighten screws because screw heads may break off or strip out.



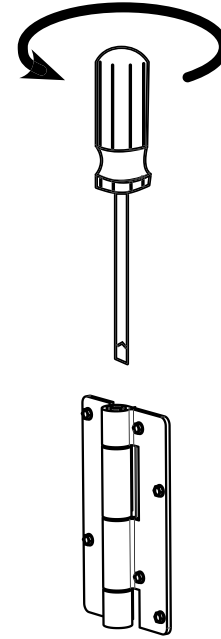
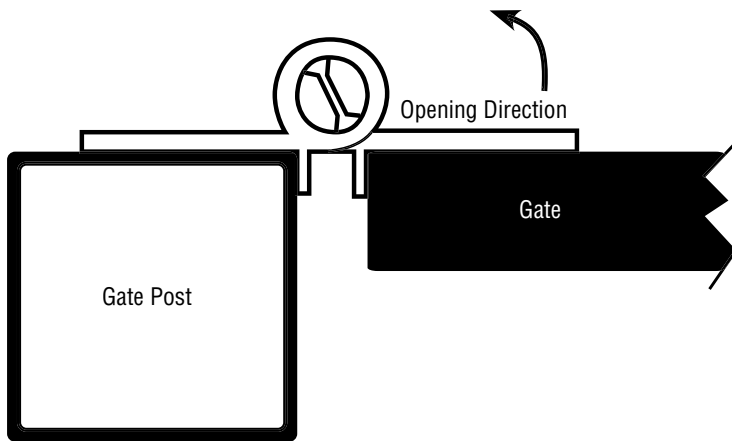
Gate Installation

- 1** Self closing hinges are included with all gates. Make sure hinges are set in the proper direction to accommodate either left or right handed gates or provide an inside or outside swinging gate. The post that will have the gate hinges screwed to it will be the (thick walled) "heavy-duty gate post".

- 2** Make sure the flange side of the hinge is the side the gate and post will be installed onto.

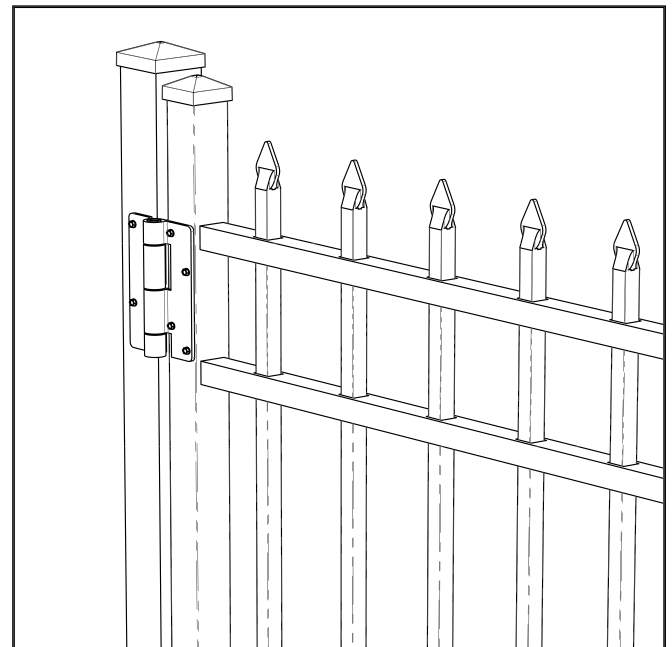
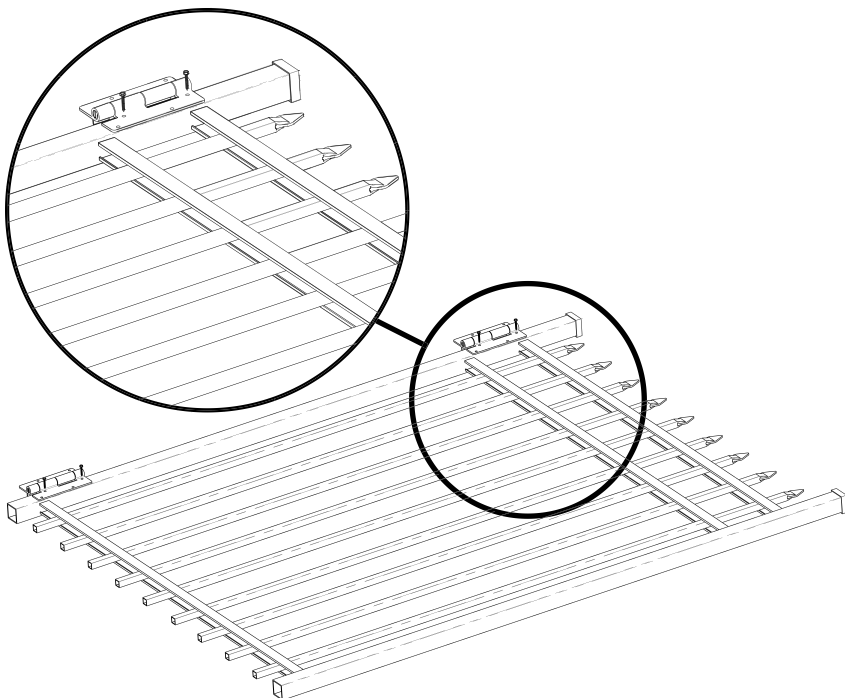
Release tension of hinges with a standard screwdriver prior to installing. Take a flathead screwdriver and push in the tension adjuster and turn 1/2 turn.

If the gate is not attached to fence sections on both sides, then it is advised to install the hinge on the side of the gate with the fence section attached.

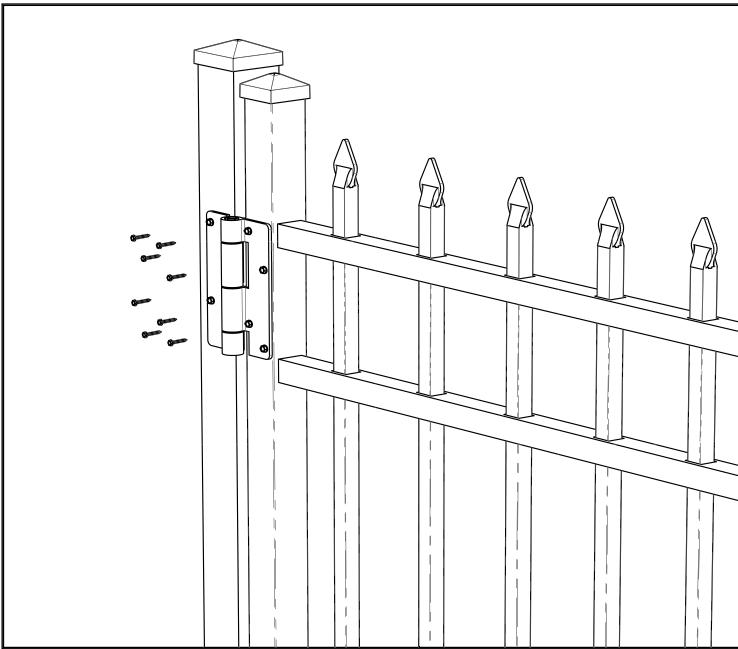


- 3** Once the concrete has completely set around the gate post(s) (may take 5-7 days), gates may be hung. Set the hinges on the gate. Line up the top of hinge with top of top gate rail. Line up bottom of bottom hinge with bottom of bottom gate rail. Drive two 1 1/4" self-tapping screws through upper hinge into gate (use the inside holes for this step). Repeat for bottom hinge.

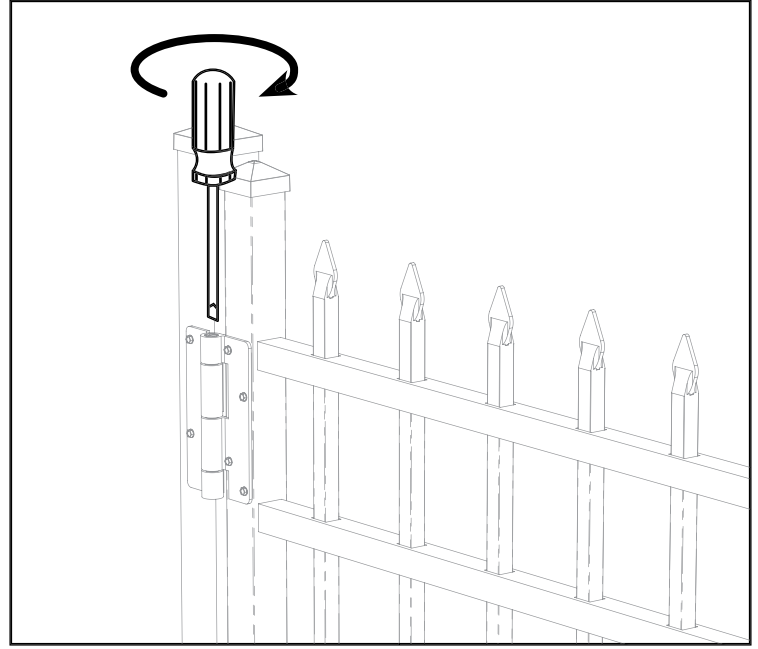
- 4** Hang gate to post. Make sure the horizontal rails of the gate are at the same level as the horizontal rails of the fence panels. Do this by either lifting gate by hand, or by inserting temporary spacer blocks under the gate to keep gate in place while mounting it to gate post.



5 Drive two 1/4" self-tapping screws through upper hinge into post (use the inside holes for this step). Repeat for bottom hinge. Screw additional eight screws into hinge.



6 Install latch per instructions (Varies by style). Re-tighten the spring tension of hinge to level started at (turn cam clockwise 1/2 turn).



Quality. Integrity. Experience.

For installation support call:

1-855-859-8908